

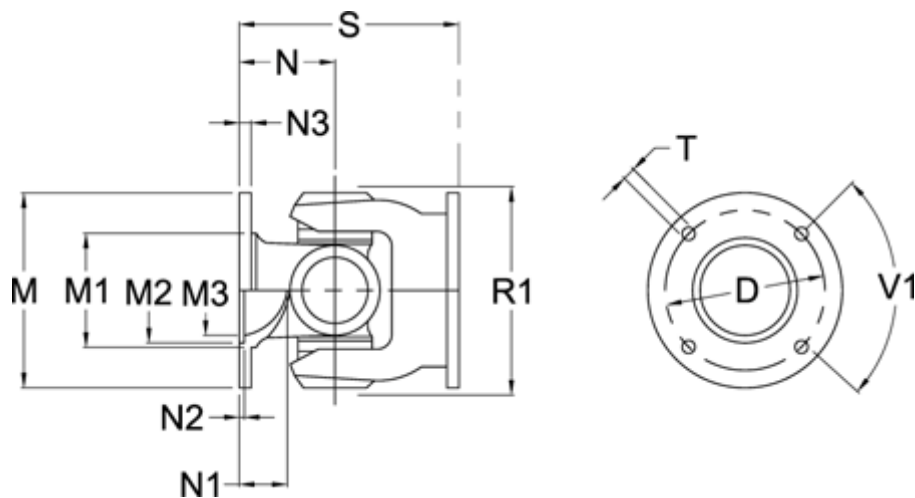
Data Sheet



Article number: 07112400001

Description: Universal joint single 0.112.400.001
S=120 X= Bore with keyway

Measures



D	= 101,5 +/-0,1	N2	= 2,5 +/-0,5
Flange diameter M	= 120	N3	= 8
M1	= 80.5	Number of Flangeholes	= 8
M2	= 75	R1	= 115
M3	= 69	S min	= 120
Max. Bending Angle degrees	= 20	T	= 8 B12
N	= 60	V1 degrees	= 45
N1	= 26		